


# TOTO

## Wall mounted toilet bowl

Perform the installation work properly according to this Installation Guide so that the product can function well. After installation, fully explain how to use it to your customer.




### Cautions and warnings (Always observe these warnings.)

Before installation, read these "Cautions and warnings" carefully and attach the equipment correctly. This manual uses various indications to guide safe installation of the product and to prevent injury to customers or other people and damage to property. This product should be installed by a professional. The indications and their meanings are as follows.

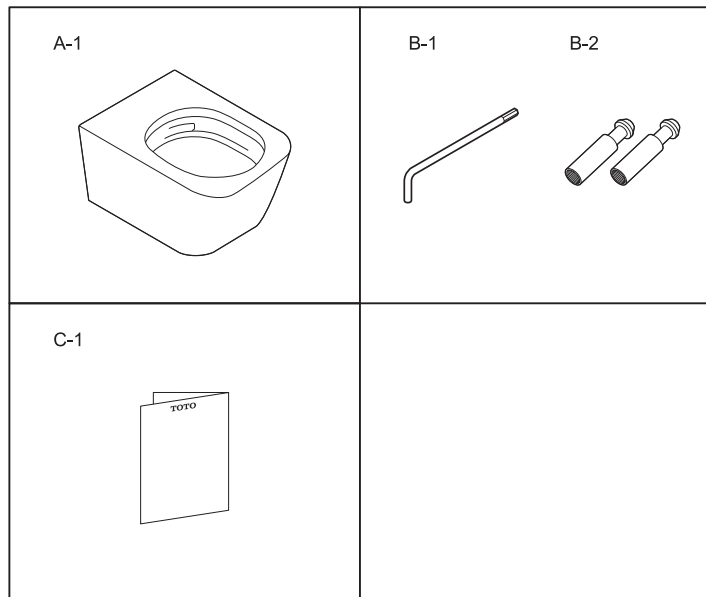
Symbol example	Meaning of symbol
 <b>CAUTION</b>	This indicates that misoperation could result in injury or physical damage.

Items to be observed are classified by type and explained with the following pictograms.

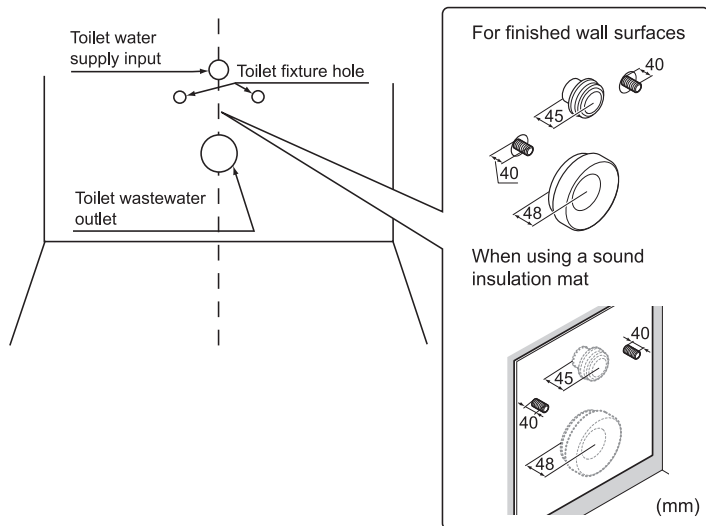
	The  symbol indicates something that is prohibited.		The  symbol indicates something that must be done.
--	--	---	---

 <b>CAUTION</b>	
 Prohibited	<b>Do not subject the toilet to strong forces or impacts.</b> Otherwise, the toilet may break causing injury or leaks that may damage property.
 Required	<b>Be sure to use the included or specified parts for installation work.</b> Otherwise, the product may not be installed properly. <b>Carry out the installation work according to this installation manual.</b> Otherwise, damage caused by water leaks may occur.

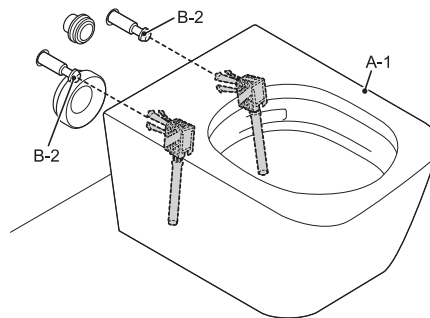
### Included Parts



### Before Installing



### Parts name

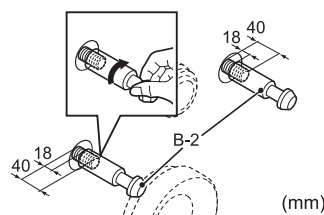


\* The product may be slightly different in shape than the product shown in the figure depending on the model.

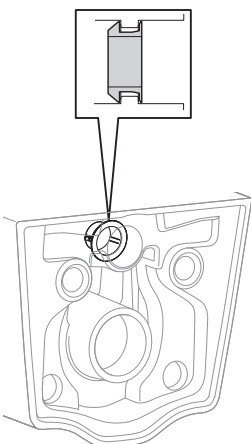
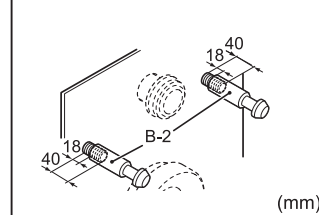
### Installation Procedure

1

For finished wall surfaces

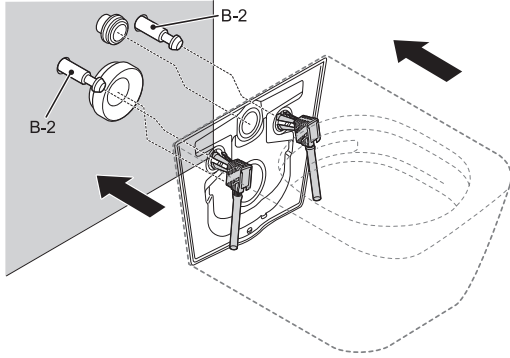


When using a sound insulation mat

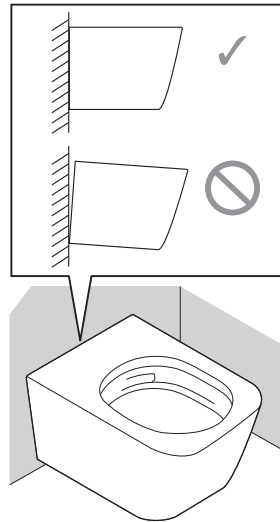


 <b>CAUTION</b>	
 Required	<b>Confirm that the part shown in the figure to the left is installed to the toilet bowl.</b> If the toilet bowl is installed without this part, water could spray from the toilet bowl.

2

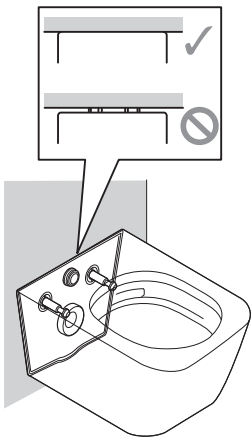


5



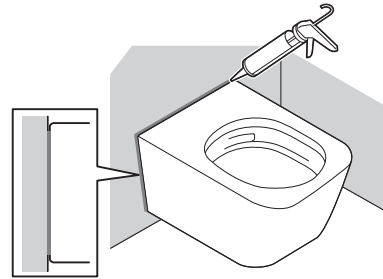
⚠ CAUTION	
Required	Confirm that the toilet is fastened to the wall securely. Failure to secure the toilet could result in its falling and being damaged.

3

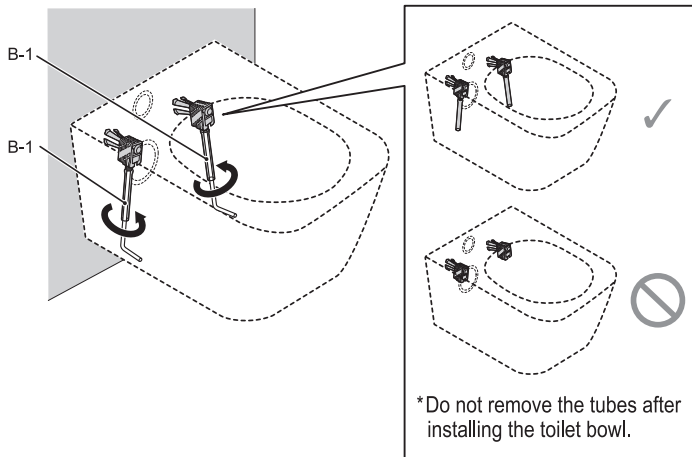


⚠ CAUTION	
Required	Connect the toilet bowl securely to the toilet water supply input and toilet waste water outlet. Incomplete connection could cause foul odours or water to leak.

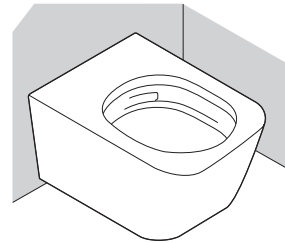
6



4



7



After installation, leave the L-Wrench (B-1) with the customer.

**After conducting a test run, confirm that no connections are leaking water. Not installing the product properly may cause water leaks that could result in flooding damage to property, such as household belongings.**

- After the trial-run (flush) of the toilet bowl, check the toilet bowl inside for foreign matter such as chips of cut pipe, etc. Foreign matters such as transmitted rust can stick to the sides.
- Make sure that there are no scratches or other damage on the ceramic surface.  
If metallic objects (watchbands, belt buckles, etc.) strongly contacts or scrapes against the surface of earthenware, a black or silver streak may be left. If marked by such a streak, remove it by gently rubbing the surface with an abrasive detergent, etc.
- After installation, unseen dirt (oil or adhesive for piping) may remain in the toilet bowl. Be sure to wipe it off using a non-abrasive neutral detergent for toilets. Otherwise, the toilet bowl surface may not flush completely clean.